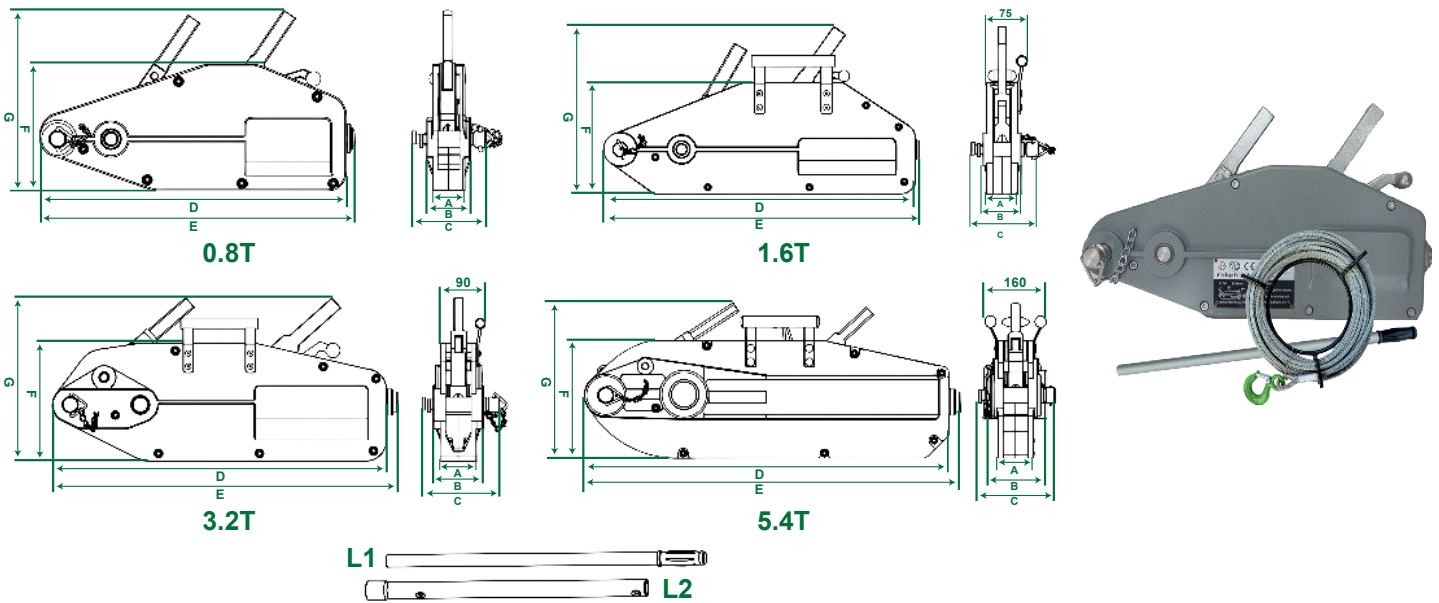


WIRE ROPE PULLER/HOIST



DESCRIPTION

- Ideal for use on flat and minor irregular surfaces
- Easy Installation
- Suspension eye allows easy attachment to hooks or other lifting gear
- CE, Serial number, SWL & JB Lifting (JBL) Mark shown on label and carton

FEATURES

- **Standard:** EN 13157
- **Material:** Aluminium
- **Construction:** Quenched & tempered
- **Proof load:** Individually proof tested to 1.5 time of working load limit
- **Finish:** Powder coated

WIRE ROPE PULLER/HOIST

PULR

Item Code (s)	Rated Capacity	Standard Rope Length	Rated Forward Handpower	Rated Forward Travel	Wire Rope Diameter	Safety Factor	Max. Traveling load	Weight	Outer Size							L1	L2
									A	B	C	D	E	F	G		
									mm	mm	mm	mm	mm	mm	mm		
PULR-0.8T	800	20	341	=>52	8.3	5:1	1200	14.55	44	60	101	420	430	172	240	800	/
PULR-1.6T	1600	20	400	=>55	11	5:1	2400	25.4	56	68	120	545	556	200	270	800	1200
PULR-3.2T	3200	20	438	=>28	16	5:1	4000	48.3	70	98	150	645	666	227	320	800	1200
PULR-5.4T	5400	20	850	=>25	20	5:1	6750	95.7	90	160	200	935	940	300	410	880	1350



The data of products dimension in the catalogue is just for reference!
 Copyright©2023 | www.jblifting.com | All rights reserved